



US00D887455S

(12) **United States Design Patent**
Erdman

(10) **Patent No.:** **US D887,455 S**

(45) **Date of Patent:** **** Jun. 16, 2020**

(54) **IRRIGATION WHEEL DESIGN**

(71) Applicant: **Travis Erdman**, Lyman, NE (US)

(72) Inventor: **Travis Erdman**, Lyman, NE (US)

(**) Term: **15 Years**

(21) Appl. No.: **29/585,013**

(22) Filed: **Nov. 18, 2016**

(51) **LOC (12) Cl.** **15-03**

(52) **U.S. Cl.**
USPC **D15/28**

(58) **Field of Classification Search**
USPC D15/28, 29, 20, 21, 27, 11, 17, 19;
172/21, 174, 176, 177, 240, 322, 452,
172/518, 540, 542, 548, 556, 118-122
CPC E01C 19/268; E01C 19/43; E02D 3/00;
E02D 3/039; E02D 3/032; E02D 3/026;
E02D 17/20; B60R 1/00; B60R 2300/80;
A01B 29/045; A01G 25/092; B60B
15/00; B60B 2360/10; B60B 2900/325;
B60B 2900/351; B60Y 2200/224; B60C
7/06; B60C 7/08

See application file for complete search history.

2,741,968 A * 4/1956 Harris A01B 1/243
172/21

3,071,050 A * 1/1963 Shatto E02D 3/026
172/554

3,318,211 A * 5/1967 Grace E02D 3/026
404/124

3,687,023 A * 8/1972 Moser A01B 29/045
172/52

3,823,983 A * 7/1974 Peterson E02D 3/026
301/43

3,832,079 A * 8/1974 Moorhead B44B 5/0009
404/124

3,989,404 A * 11/1976 Burton E01C 19/266
404/128

(Continued)

OTHER PUBLICATIONS

Notice of Allowance, U.S. Appl. No. 15/356,044, title, "Robust Center Pivot Irrigation Wheels Systems and Methods," dated Dec. 20, 2018, 7 pages.

(Continued)

Primary Examiner — Mark A Goodwin
(74) *Attorney, Agent, or Firm* — Santangelo Law Offices, P.C.

(57) **CLAIM**

The ornamental design for an irrigation wheel design, as shown and described.

DESCRIPTION

FIG. 1 is a front view of an irrigation wheel showing our new design;
FIG. 2 is a back view thereof
FIG. 3 is a side view thereof
FIG. 4 is an opposite side view of FIG. 3 thereof
FIG. 5 is a perspective view thereof; and,
FIG. 6 is an opposite perspective view of FIG. 5 thereof.
The broken lines are for illustrative purposes only and form no part of the claimed design.

1 Claim, 3 Drawing Sheets

(56) **References Cited**
U.S. PATENT DOCUMENTS

365,773 A * 7/1887 Bailey E01C 19/26
404/122

546,194 A * 9/1895 Shaw E01C 19/27
404/132

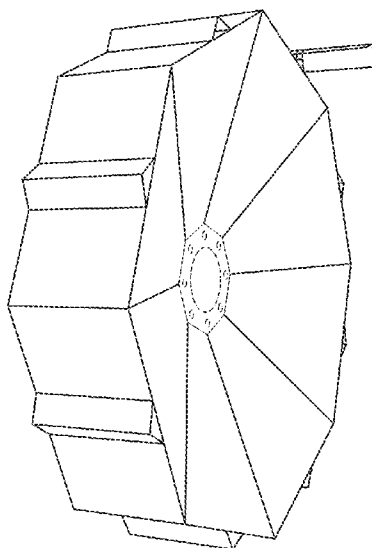
557,006 A * 3/1896 Miller A01B 39/04
172/431

1,052,643 A * 2/1913 Baechle E01C 19/27
404/132

1,099,185 A * 6/1914 Loveland E01C 19/236
404/124

1,284,385 A 11/1918 Linden

1,387,225 A 8/1921 Allen



(56)

References Cited

U.S. PATENT DOCUMENTS

4,090,570 A * 5/1978 Alexander A01G 23/093
172/116
4,193,457 A * 3/1980 Sphar A01B 29/045
172/464
4,195,695 A * 4/1980 Dixon A01B 29/045
172/1
4,523,873 A * 6/1985 Elliot E01C 19/238
172/554
4,775,262 A * 10/1988 Guntharp E01C 19/236
404/103
4,964,753 A * 10/1990 Ciminelli E02D 3/026
404/117
5,033,906 A * 7/1991 Jordan B44B 5/0009
404/124
5,046,785 A 9/1991 Bockerman
5,114,269 A * 5/1992 Shepherd E01C 19/236
404/122
5,228,799 A * 7/1993 Sondreal E01C 19/43
404/124
5,421,670 A * 6/1995 Meirick E01C 19/43
404/124
5,451,001 A 9/1995 Kumm
5,511,901 A * 4/1996 Yates E01C 19/236
404/124
5,725,057 A * 3/1998 Taylor A01B 29/04
172/121
5,791,815 A * 8/1998 Rowe E01C 19/285
404/103
5,810,452 A 9/1998 Hawthorne et al.
5,860,764 A * 1/1999 Roberts E01C 19/236
404/124
6,379,081 B1 * 4/2002 Barbulescu A01B 29/04
404/122
6,539,697 B2 * 4/2003 Burk A01D 34/8355
56/504
6,719,485 B1 * 4/2004 Roth E01C 19/235
299/39.4
6,843,615 B1 * 1/2005 Cook E02D 3/026
404/122
6,968,907 B1 * 11/2005 Raper A01B 29/045
172/518

7,080,955 B2 * 7/2006 Gregg E01C 19/238
404/122
7,347,645 B2 * 3/2008 Gregg E01C 19/238
404/122
7,410,323 B1 * 8/2008 Roth E01C 19/235
404/132
7,562,517 B1 * 7/2009 Kornecki A01B 13/02
172/554
7,775,610 B2 8/2010 Mettenbrink
8,657,215 B1 2/2014 Blum
10,214,865 B2 * 2/2019 Meier E02D 3/046
10,272,717 B1 4/2019 Erdman
2005/0051041 A1 * 3/2005 Gregg E01C 19/238
101/110
2006/0239776 A1 * 10/2006 Thompson E02D 3/039
404/124
2006/0257208 A1 * 11/2006 Gregg E01C 19/238
404/124
2007/0086861 A1 * 4/2007 Pratt E01C 19/268
404/124
2007/0240888 A1 * 10/2007 Wright A01B 29/041
172/21
2008/0267719 A1 * 10/2008 Corcoran E01C 19/266
405/271
2010/0135724 A1 * 6/2010 Roth E01C 19/235
404/124
2011/0121090 A1 5/2011 Price
2013/0306338 A1 * 11/2013 Wood, Sr. E01C 19/268
172/548
2014/0301785 A1 * 10/2014 Meier E01C 19/23
404/122
2016/0047103 A1 * 2/2016 Pratt E02D 3/026
404/121
2018/0187381 A1 * 7/2018 Meier E02D 3/046
2019/0055708 A1 * 2/2019 Fox E02D 3/00

OTHER PUBLICATIONS

Non-final Office Action, U.S. Appl. No. 15/356,044, title, "Robust Center Pivot Irrigation Wheels Systems and Methods," dated Aug. 10, 2018, 16 pages.

* cited by examiner

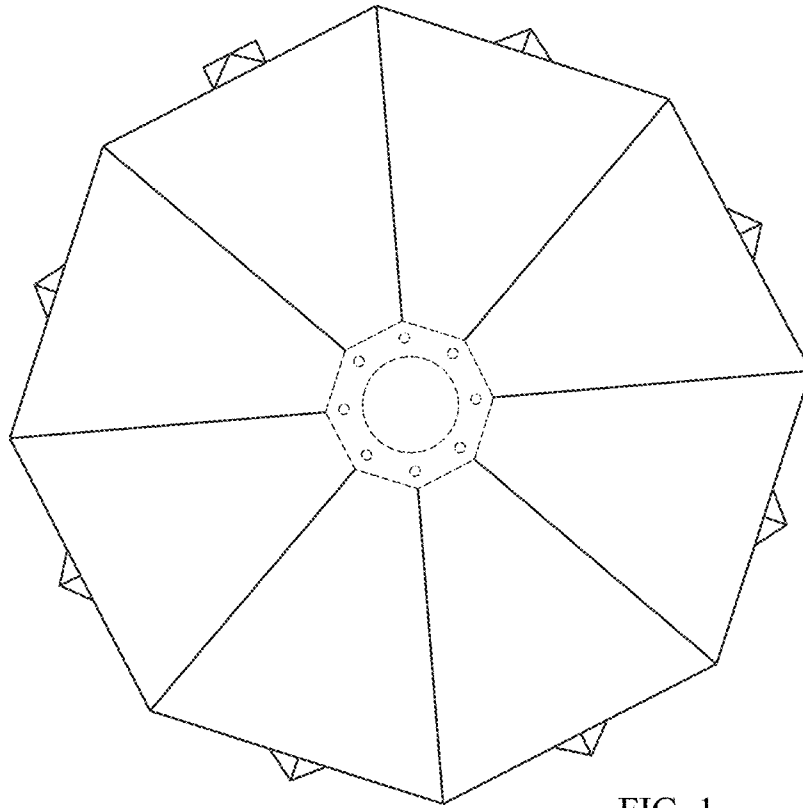


FIG. 1

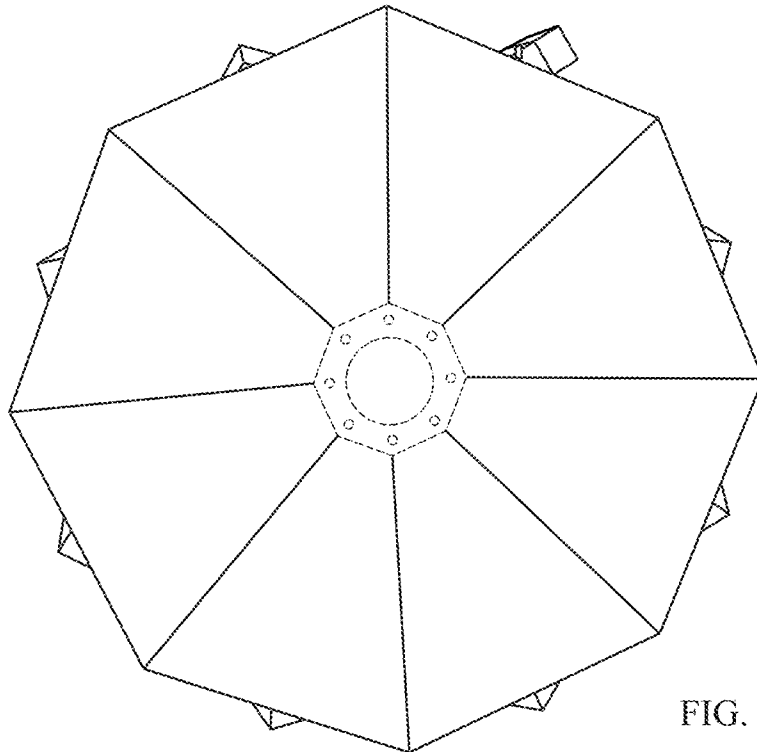


FIG. 2

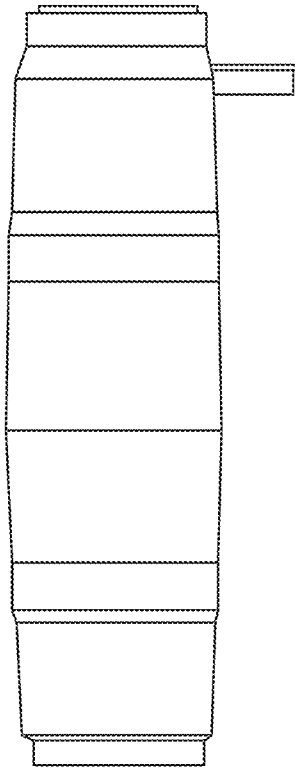


FIG. 3

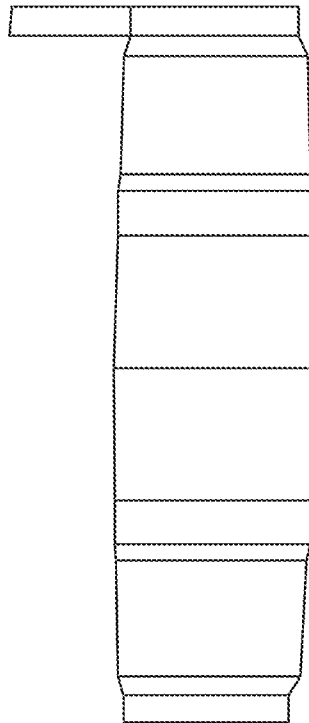


FIG. 4

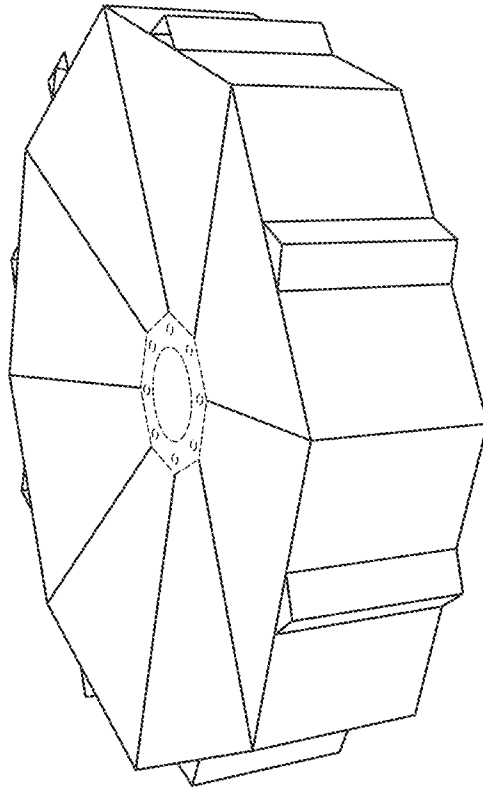


FIG. 5

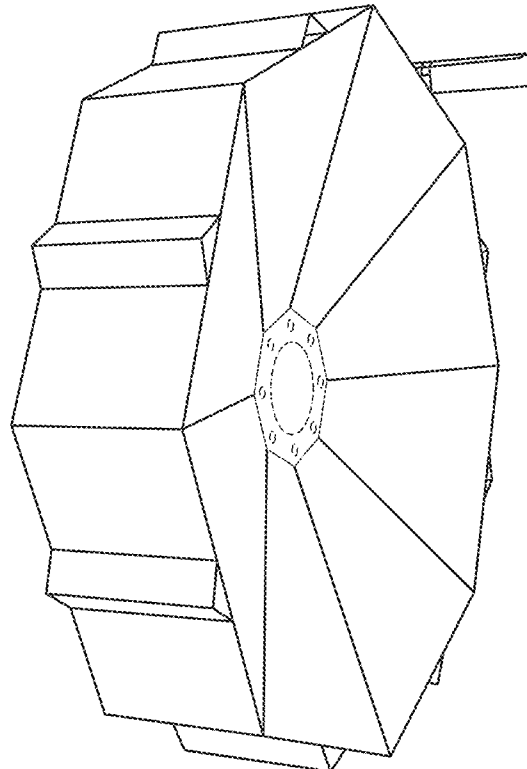


FIG. 6