

(19) World Intellectual Property Organization
International Bureau



(43) International Publication Date
23 July 2009 (23.07.2009)

PCT

(10) International Publication Number
WO 2009/091929 A2

- (51) International Patent Classification:
G10F 3/00 (2006.01)
- (21) International Application Number:
PCT/US2009/031162
- (22) International Filing Date: 15 January 2009 (15.01.2009)
- (25) Filing Language: English
- (26) Publication Language: English
- (30) Priority Data:
61/011,315 15 January 2008 (15.01.2008) US
61/144,649 14 January 2009 (14.01.2009) US
- (71) Applicant (for all designated States except US): **SWIFT DISTRIBUTION, INC.**, [US/US]; D/b/a Ultimate Support Systems Inc., 1765 Oak Street, Torrance, CA 90501 (US).
- (72) Inventors; and
- (75) Inventors/Applicants (for US only): **BELITZ, Michael** [US/US]; 647 15th Street, Manhattan Beach, CA 90266 (US). **EASON, Donald, H.** [US/US]; 1909 Turnberry Road, Fort Collins, CO 80524 (US). **SLOAN, Megan**

- [US/US]; 3331 Sundisk Ct., Fort Collins, CO 80526 (US). **SLATON, Robin, R.** [US/US]; 5353 Moonlight Bay Dr., Fort Collins, CO 80528 (US). **KILLEBREW, Allen** [US/US]; 347 Lincoln St., Longmont, CO 80501 (US).
- (74) Agent: **WIEDMANN, Alfred, K.**; Santangelo Law Offices, P.C., 125 South Howes, Third Floor, Fort Collins, CO 80521 (US).
- (81) Designated States (unless otherwise indicated, for every kind of national protection available): AE, AG, AL, AM, AO, AT, AU, AZ, BA, BB, BG, BH, BR, BW, BY, BZ, CA, CH, CN, CO, CR, CU, CZ, DE, DK, DM, DO, DZ, EC, EE, EG, ES, FI, GB, GD, GE, GH, GM, GT, HN, HR, HU, ID, IL, IN, IS, JP, KE, KG, KM, KN, KP, KR, KZ, LA, LC, LK, LR, LS, LT, LU, LY, MA, MD, ME, MG, MK, MN, MW, MX, MY, MZ, NA, NG, NI, NO, NZ, OM, PG, PH, PL, PT, RO, RS, RU, SC, SD, SE, SG, SK, SL, SM, ST, SV, SY, TJ, TM, TN, TR, TT, TZ, UA, UG, US, UZ, VC, VN, ZA, ZM, ZW.
- (84) Designated States (unless otherwise indicated, for every kind of regional protection available): ARIPO (BW, GH,

[Continued on next page]

(54) Title: MUSICAL SUPPORT APPARATUS

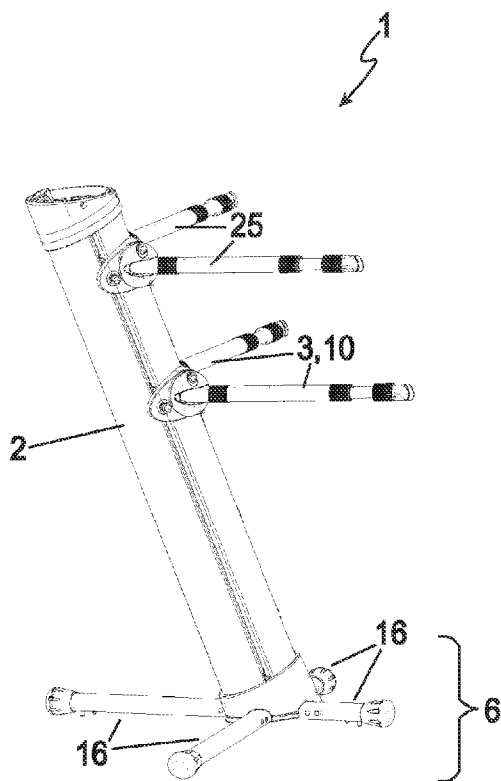


FIG. 1

(57) Abstract: Embodiments of the inventive technology relate generally to item support apparatus. Although a focus of the inventive technology may, in some embodiments, be on support of musical related items such as musical instruments, keyboards, and sound speakers, the scope of the inventive technology and its applicability is not necessarily limited as such. In various embodiments, certain inventive technology provides enhanced functionality (e.g., stand adjustability), robust and simplified design (e.g., as may be found in a retention augmented item stand), enhanced performance (as may be found in a telescoping tube lock apparatus), and an ability to more easily control the elevation and lowering of heavy, stand supported items such as speakers.

WO 2009/091929 A2